

NOTE:

1. WARNING TAPE TO READ "CAUTION: BURIED RECLAIMED WATER BELOW"

RECLAIMED WATER MAIN TRENCH DETAIL

NOT TO SCALE



UNIVERSITY AREA JOINT AUTHORITY

RECLAIMED WATER STANDARD DETAIL FOR UNIVERSITY AREA JOINT AUTHORITY

CENTRE COUNTY

PENNSYLVANIA

PROJ. MGR. - BRB
DESIGN - BRB
CADD - KEC
CHECKED -
SCALE - AS SHOWN
DATE - JUNE 2015

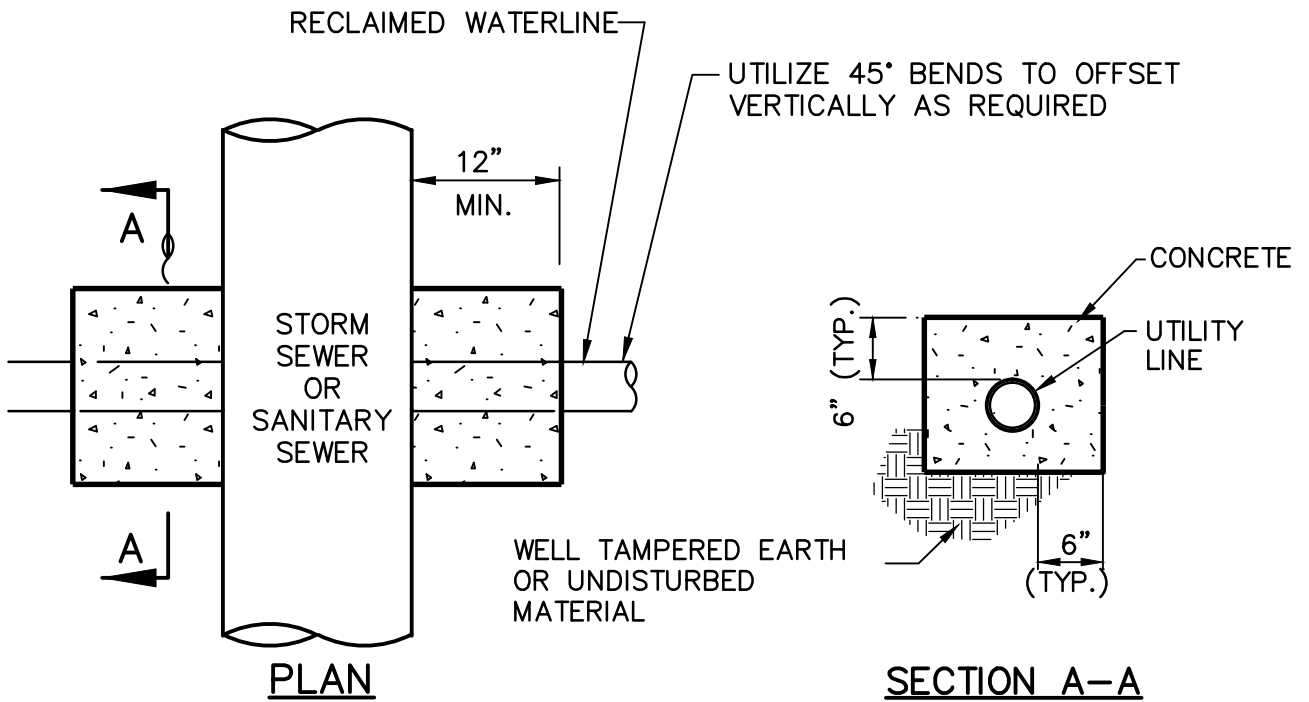
DRAWING NO.

1

SHEET NO.

1 OF 12

PROJECT 001178.0562



NOTE:
 PROVIDE CONCRETE ENCASEMENT WHERE THE DISTANCE BETWEEN THE INVERT OF THE UTILITY AND THE WATERLINE IS LESS THAN 18", OR WHERE SHOWN ON THE PLANS.

UTILITY CROSSING DETAIL

NOT TO SCALE

File name: C:\CWA 3D Projects\001178_0562\Plan Seta\0011780562DT-2.dwg Layout:DWG, NO.2 Oct 16, 2015-8:24am kcooney



UNIVERSITY AREA JOINT AUTHORITY

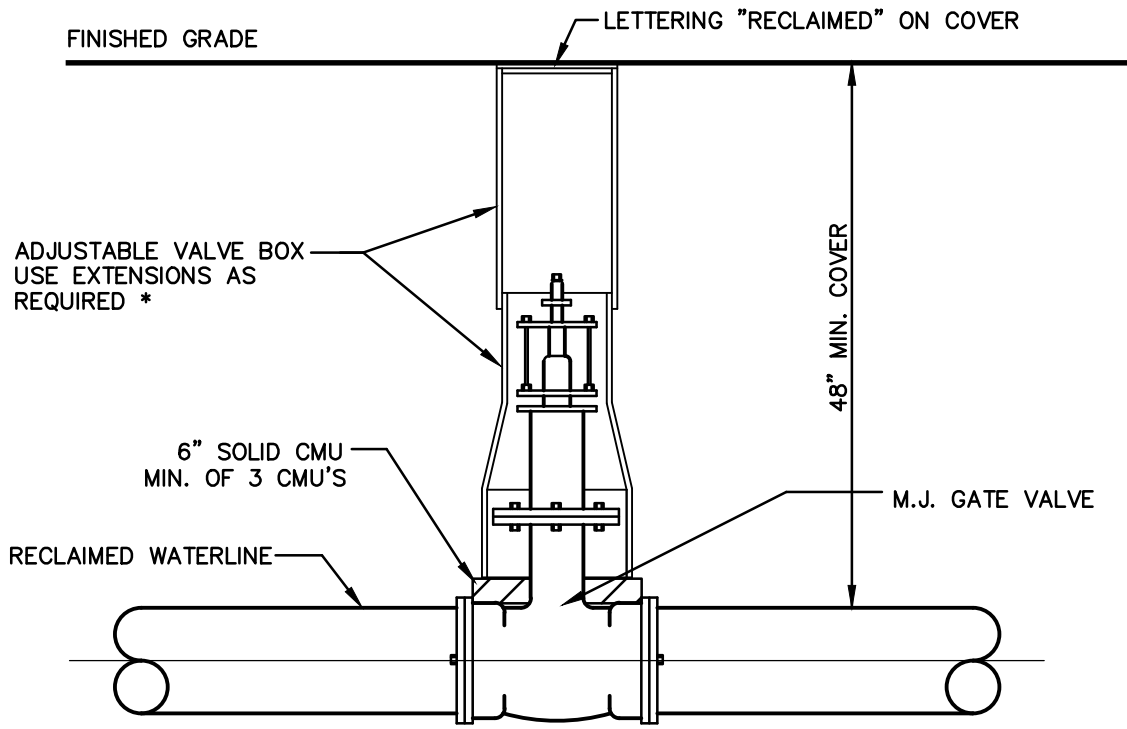
**RECLAIMED WATER STANDARD DETAIL
 FOR
 UNIVERSITY AREA JOINT AUTHORITY**

CENTRE COUNTY

PENNSYLVANIA

PROJ. MGR. - BRB
DESIGN- BRB
CADD- KEC
CHECKED-
SCALE- AS SHOWN
DATE- JUNE 2015

DRAWING NO. 2
SHEET NO. 2 OF 12
PROJECT 001178.0562



NOTE:

1. IF EXTENSIONS ARE NECESSARY CONTRACTOR SHALL SET "PLUMB" AND ALIGN PROPERLY FOR ACCESS TO OPERATING NUT.

TYPICAL GATE VALVE AND VALVE BOX DETAIL

NOT TO SCALE



UNIVERSITY AREA JOINT AUTHORITY

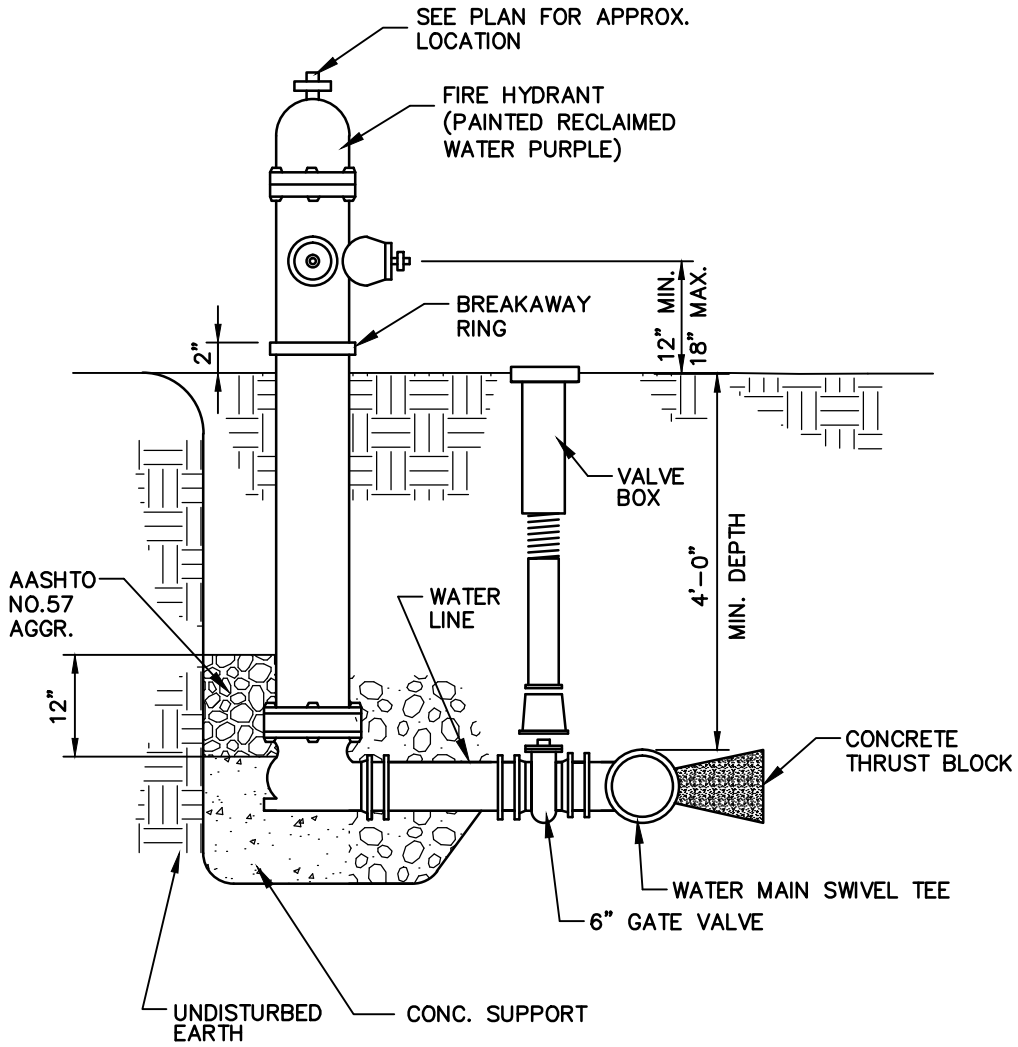
**RECLAIMED WATER STANDARD DETAIL
FOR
UNIVERSITY AREA JOINT AUTHORITY**

CENTRE COUNTY

PENNSYLVANIA

PROJ. MGR. - BRB
DESIGN- BRB
CADD- KEC
CHECKED-
SCALE- AS SHOWN
DATE- JUNE 2015

DRAWING NO. 3
SHEET NO. 3 OF 12
PROJECT 001178.0562



NOTE:

1. DRAIN HOLE IN HYDRANT MUST NOT BE OBSTRUCTED W/ CONCRETE

FIRE HYDRANT ASSEMBLY DETAIL

NOT TO SCALE

File name: C:\CWA 3D Projects\001178_0562\Plan Seta\0011780562DT-2.dwg Layout:DWG, NO.4 Oct 16, 2015-8:24am kconroy



UNIVERSITY AREA JOINT AUTHORITY

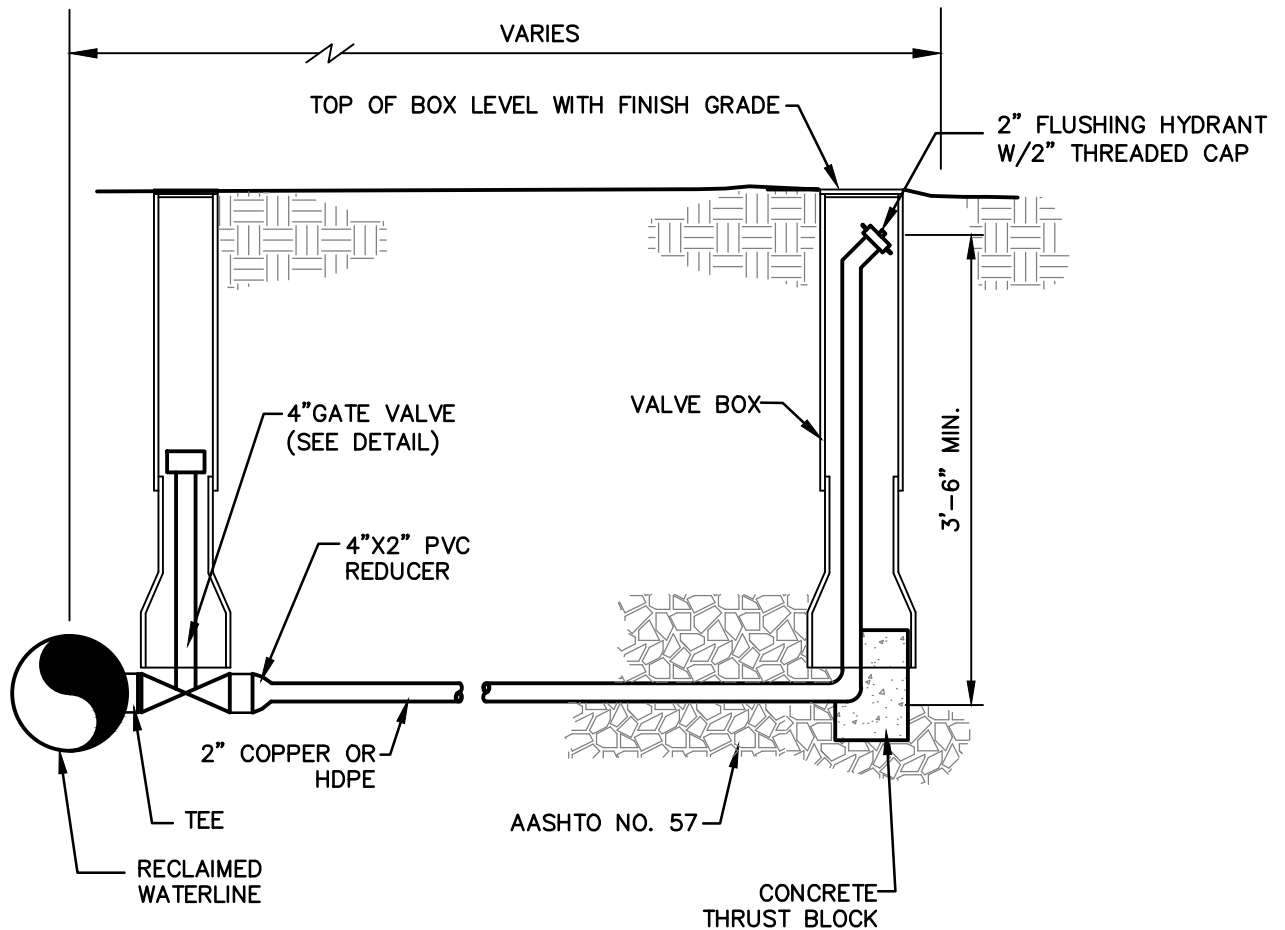
**RECLAIMED WATER STANDARD DETAIL
FOR
UNIVERSITY AREA JOINT AUTHORITY**

CENTRE COUNTY

PENNSYLVANIA

PROJ. MGR. - BRB
DESIGN - BRB
CADD - KEC
CHECKED -
SCALE - AS SHOWN
DATE - JUNE 2015

DRAWING NO. 4
SHEET NO. 4 OF 12
PROJECT 001178.0562



TERMINAL BLOW-OFF DETAIL

NOT TO SCALE

File name: C:\CWA 3D Projects\001178_0562\Plan Seta\0011780562DT-2.dwg Layout:DWG, NO.5 Oct 16, 2015-8:25am kconroy



UNIVERSITY AREA JOINT AUTHORITY

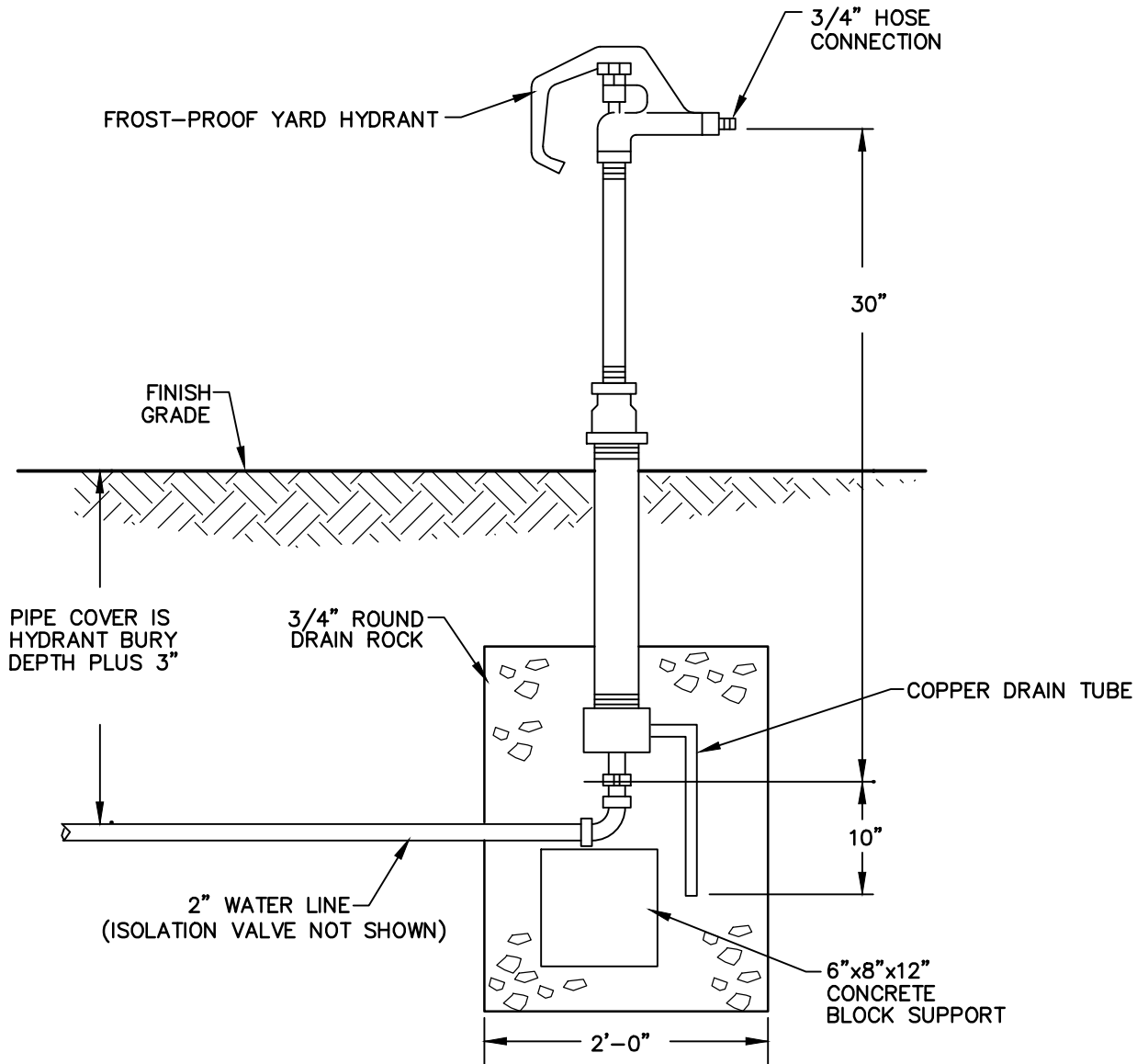
**RECLAIMED WATER STANDARD DETAIL
FOR
UNIVERSITY AREA JOINT AUTHORITY**

CENTRE COUNTY

PENNSYLVANIA

PROJ. MGR. - BRB
DESIGN - BRB
CADD - KEC
CHECKED -
SCALE - AS SHOWN
DATE - JUNE 2015

DRAWING NO. 5
SHEET NO. 5 OF 12
PROJECT 001178.0562



NOTE:

1. CONTRACTOR TO PROVIDE VALVE AND VALVE BOX

FROST-FREE YARD HYDRANT DETAIL

NOT TO SCALE



UNIVERSITY AREA JOINT AUTHORITY

RECLAIMED WATER STANDARD DETAIL FOR UNIVERSITY AREA JOINT AUTHORITY

CENTRE COUNTY

PENNSYLVANIA

PROJ. MGR. - BRB
DESIGN - BRB
CADD - KEC
CHECKED -
SCALE - AS SHOWN
DATE - JUNE 2015

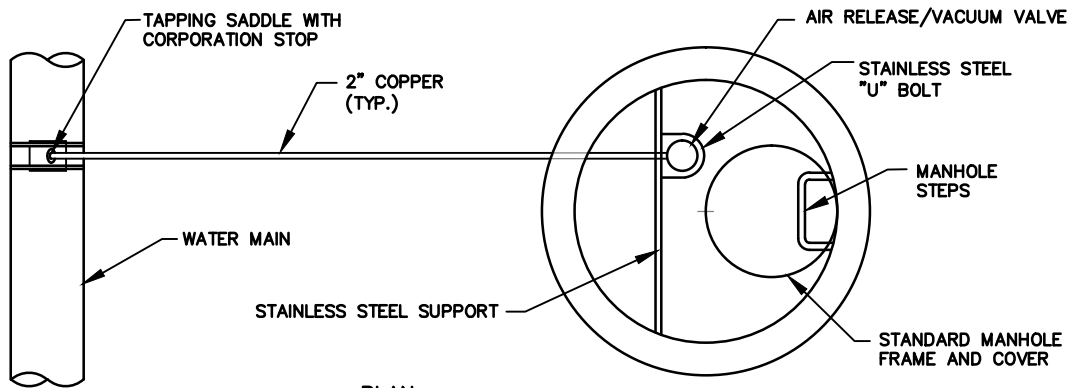
DRAWING NO.

6

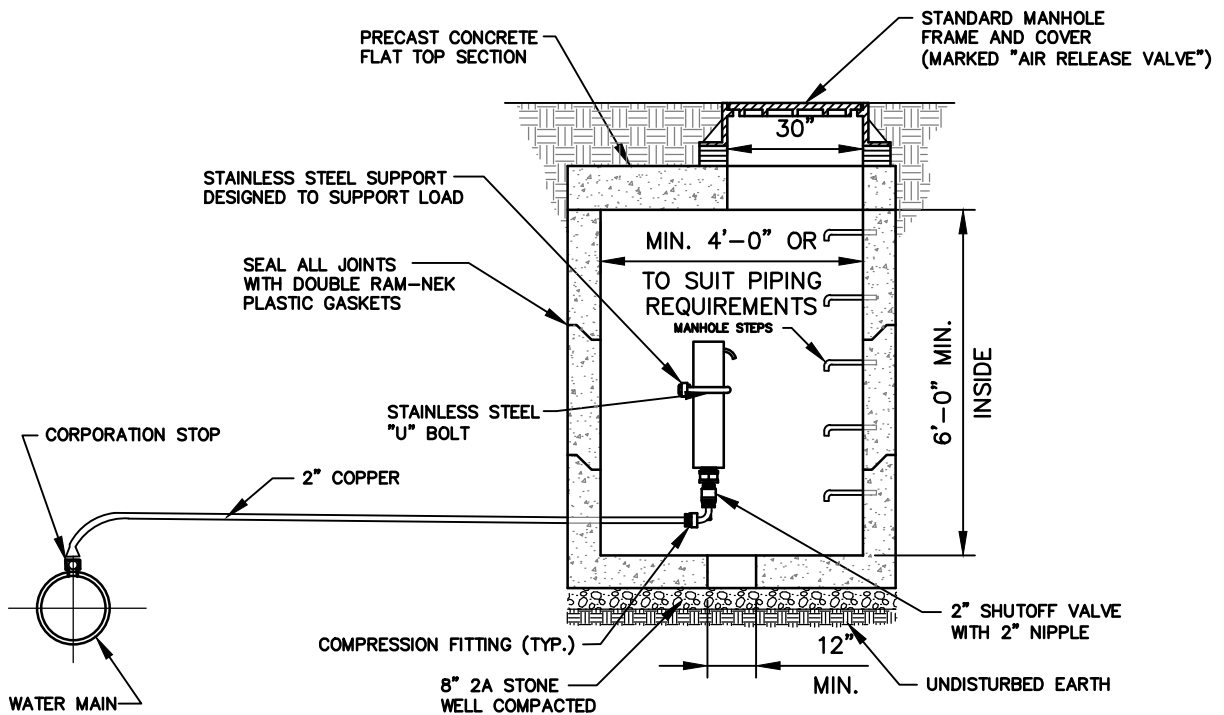
SHEET NO.

6 OF 12

PROJECT 001178.0562



PLAN



NOTE: DELETE SUMP IN AREAS WITH HIGH WATER TABLE.

SECTIONAL ELEVATION

AIR RELEASE/VACUUM VALVE
NOT TO SCALE

File name: C:\CWA 3D Projects\001178_0562\Plan Shts\001178056201-2.dwg Layout:DWG, NO.7 Oct 16, 2015-8:25am kconroy



UNIVERSITY AREA JOINT AUTHORITY

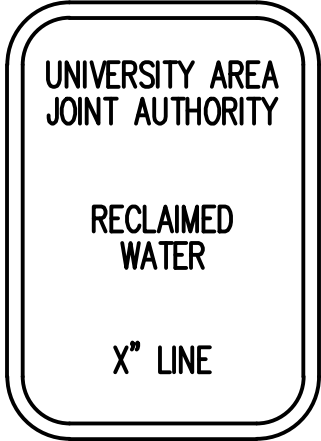
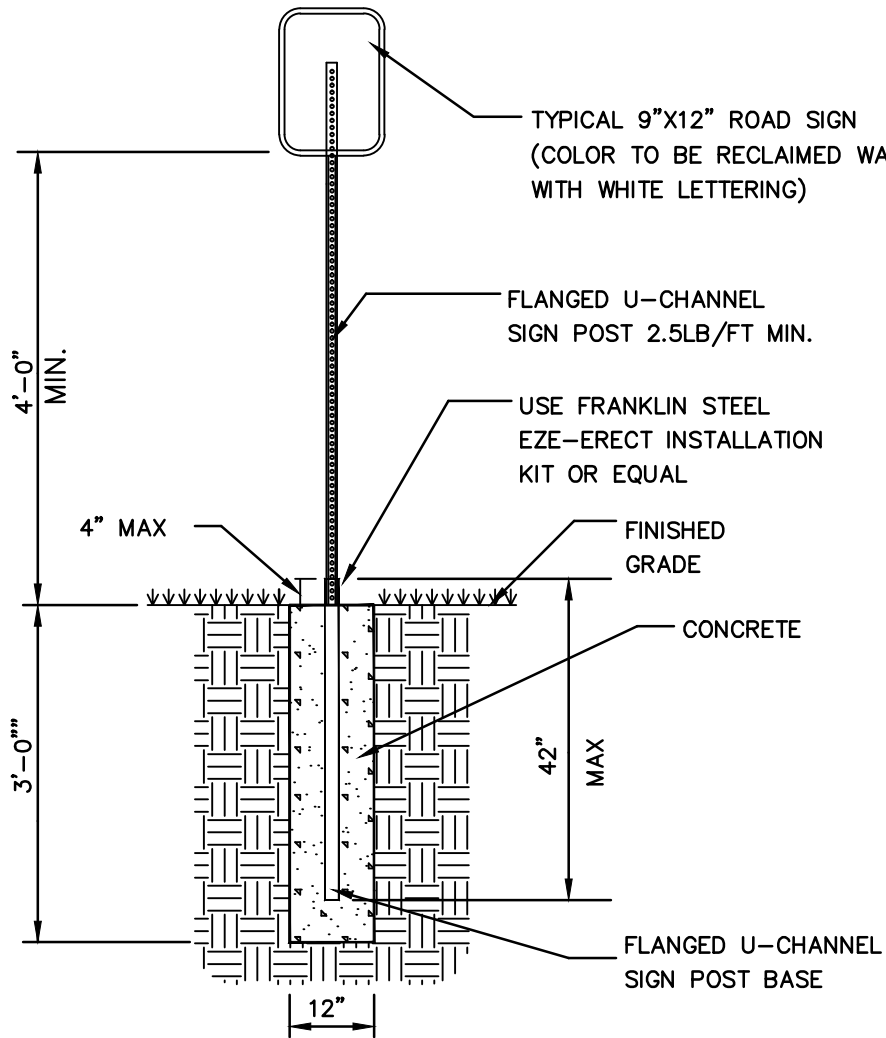
RECLAIMED WATER STANDARD DETAIL
FOR
UNIVERSITY AREA JOINT AUTHORITY

CENTRE COUNTY

PENNSYLVANIA

PROJ. MGR. - BRB
DESIGN- BRB
CADD- KEC
CHECKED-
SCALE- AS SHOWN
DATE- JUNE 2015

DRAWING NO.	7
SHEET NO.	7 OF 12
PROJECT	001178.0562



NOTES:

- 1) MOUNT SIGN AT RIGHT ANGLE TO DIRECTION OF TRAFFIC FLOW.
- 2) ALL SIGN POSTS WITHIN ROAD RIGHTS-OF-WAY MUST MEET PennDOT SPECIFICATIONS FOR BREAKAWAY POSTS.

**RECLAIMED WATERLINE
LOCATION/I.D. PADDLE**

NOT TO SCALE

File name: C:\CWA 3D Projects\001178_0562\Plan Seta\001178056201-2.dwg Layout:DWG, NO.8 Oct 16, 2015-8:25am kconroy



UNIVERSITY AREA JOINT AUTHORITY

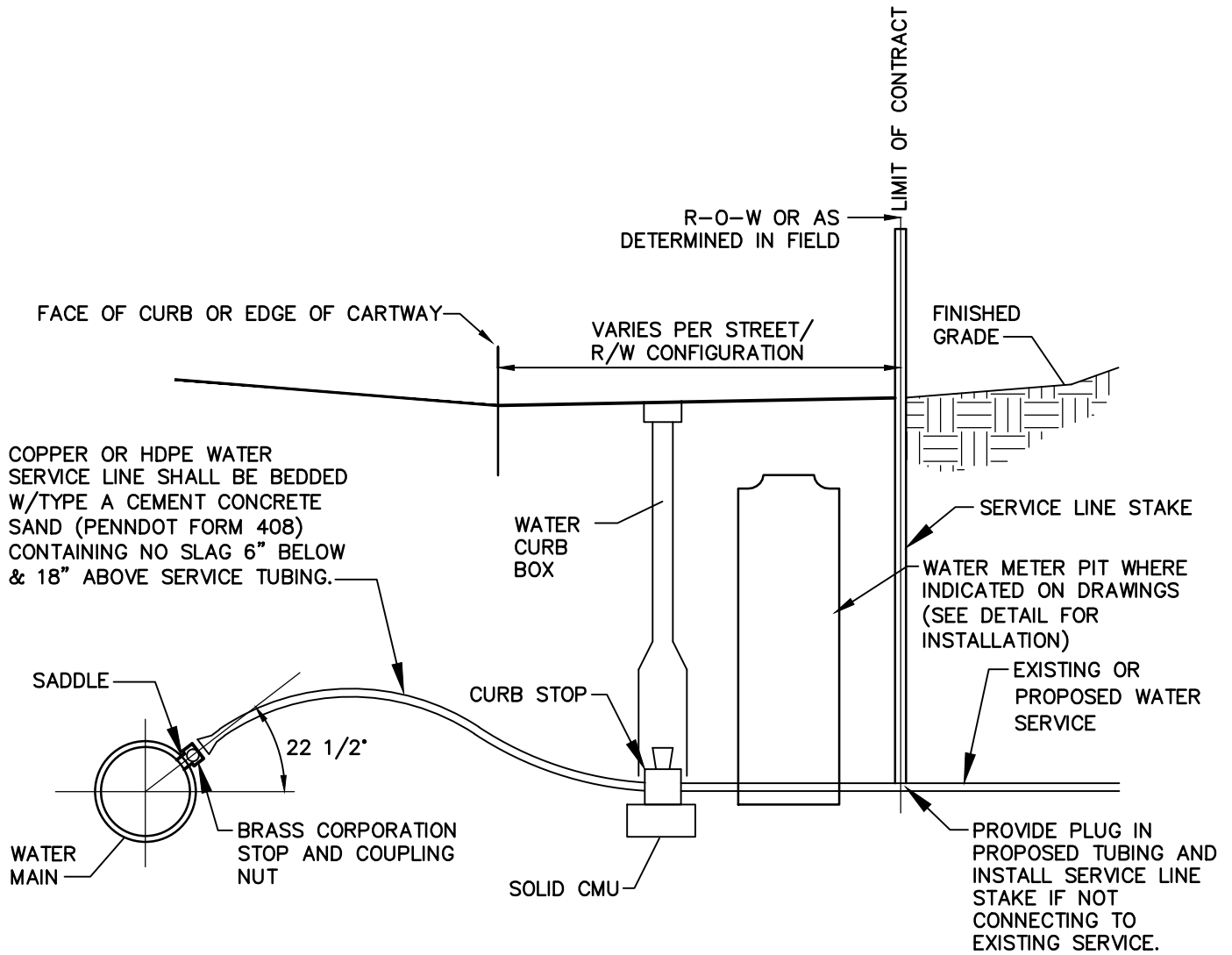
**RECLAIMED WATER STANDARD DETAIL
FOR
UNIVERSITY AREA JOINT AUTHORITY**

CENTRE COUNTY

PENNSYLVANIA

PROJ. MGR. - BRB
DESIGN- BRB
CADD- KEC
CHECKED-
SCALE- AS SHOWN
DATE- JUNE 2015

DRAWING NO. 8
SHEET NO. 8 OF 12
PROJECT 001178.0562



(SERVICE LINES 2" DIA. AND LESS)

WATER SERVICE LINE DETAIL

NOT TO SCALE

File name: C:\CWA 3D Projects\001178_0562\Plan Seta\0011780562D1-2.dwg Layout:DWG, NO.9 Oct. 16, 2015-8:28am kconroy



UNIVERSITY AREA JOINT AUTHORITY

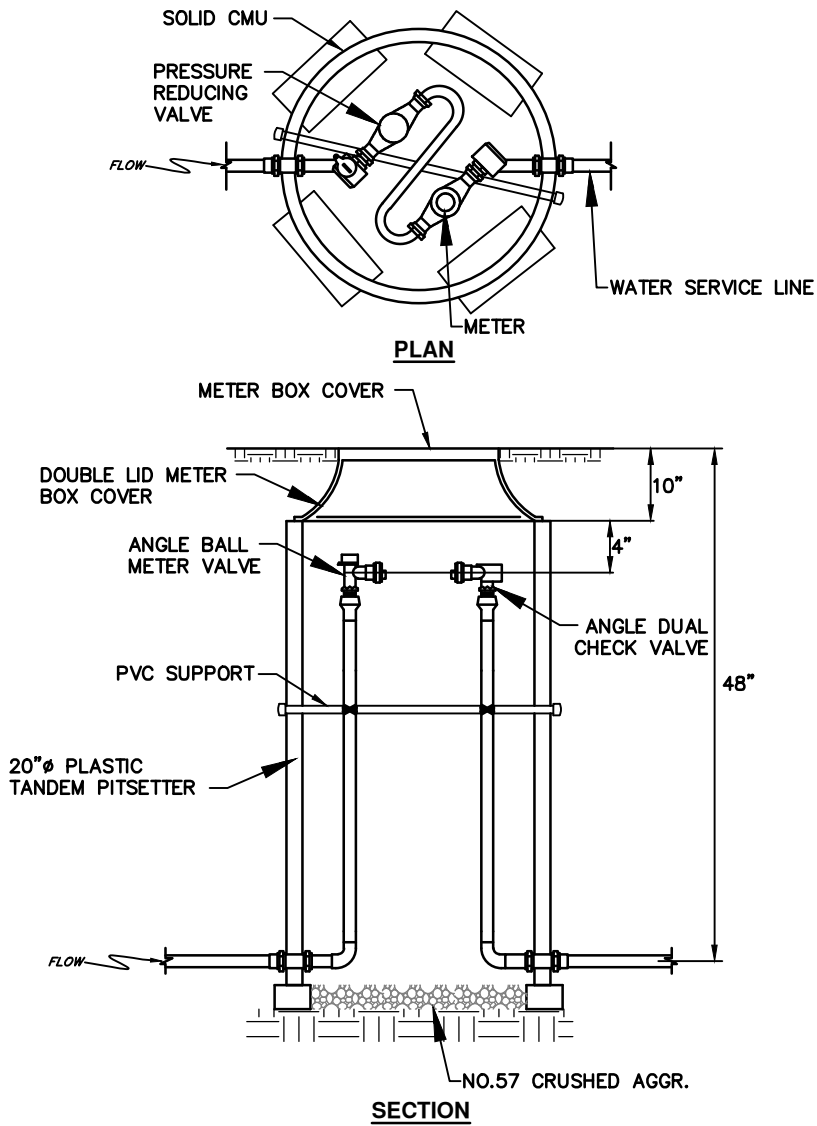
**RECLAIMED WATER STANDARD DETAIL
FOR
UNIVERSITY AREA JOINT AUTHORITY**

CENTRE COUNTY

PENNSYLVANIA

PROJ. MGR. - BRB
DESIGN- BRB
CADD- KEC
CHECKED-
SCALE- AS SHOWN
DATE- JUNE 2015

DRAWING NO. 9
SHEET NO. 9 OF 12
PROJECT 001178.0562



METER PIT W/ PRESSURE REDUCING VALVE DETAIL (LOW FLOW)
 NOT TO SCALE

File name: C:\CWA 3D Projects\001178_0562\Plan Sheet\0011780562D1-2.dwg Layout:DWG, NO.10 Oct 16, 2015 - 8:26am kconroy



UNIVERSITY AREA JOINT AUTHORITY

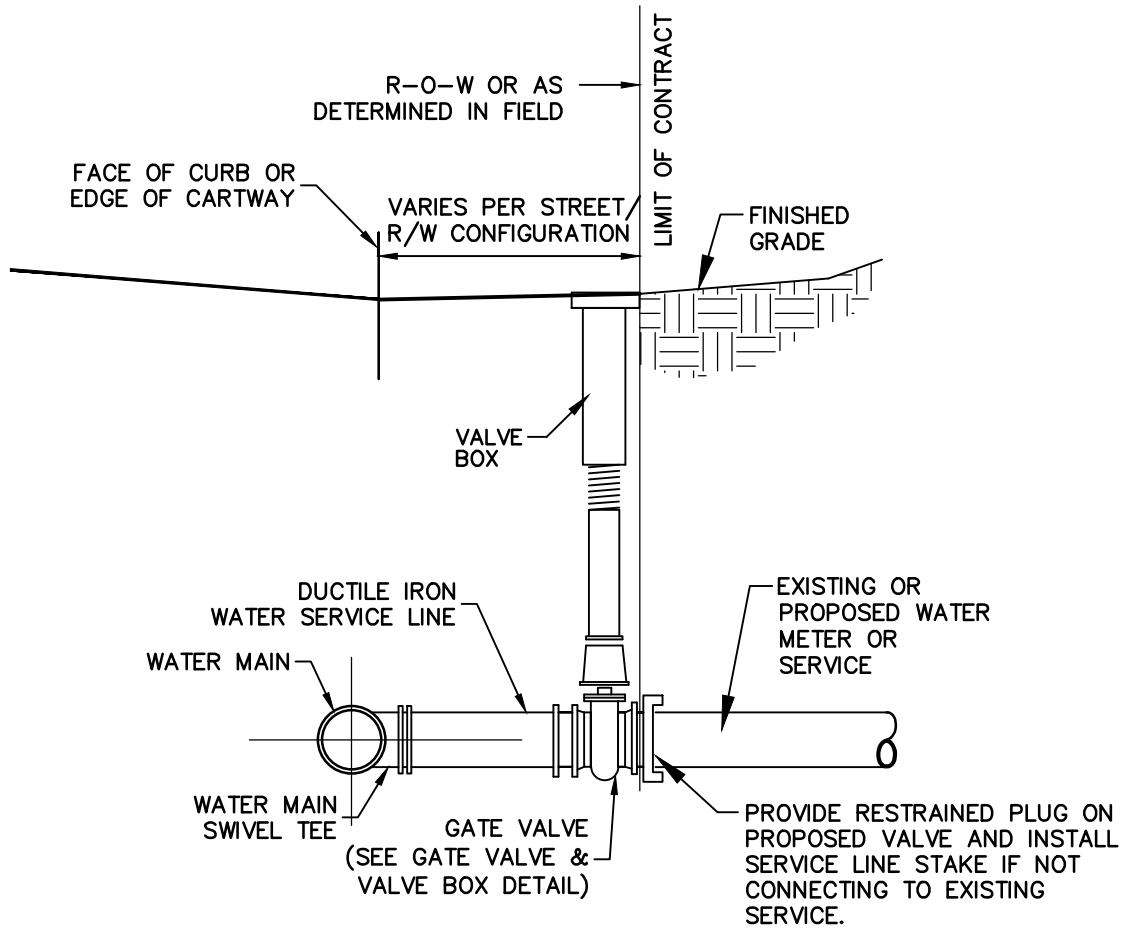
**RECLAIMED WATER STANDARD DETAIL
 FOR
 UNIVERSITY AREA JOINT AUTHORITY**

CENTRE COUNTY

PENNSYLVANIA

PROJ. MGR. - BRB
DESIGN - BRB
CADD - KEC
CHECKED -
SCALE - AS SHOWN
DATE - JUNE 2015

DRAWING NO. 10
SHEET NO. 10 OF 12
PROJECT 001178.0562



(SERVICE LINES >2" DIA)

WATER SERVICE LINE INSTALLATION DETAIL

NOT TO SCALE

File name: C:\CWA 3D Projects\001178_0562\Plan Shts\001178056201-2.dwg Layout:DWG, NO.11 Oct 16, 2015 8:28am kcooney



UNIVERSITY AREA JOINT AUTHORITY

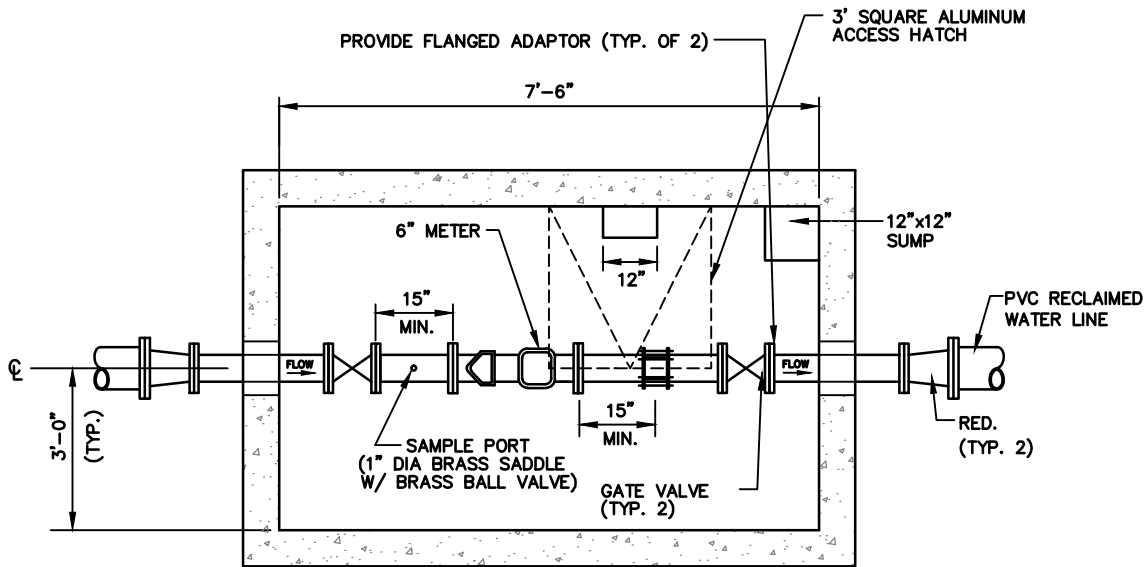
**RECLAIMED WATER STANDARD DETAIL
FOR
UNIVERSITY AREA JOINT AUTHORITY**

CENTRE COUNTY

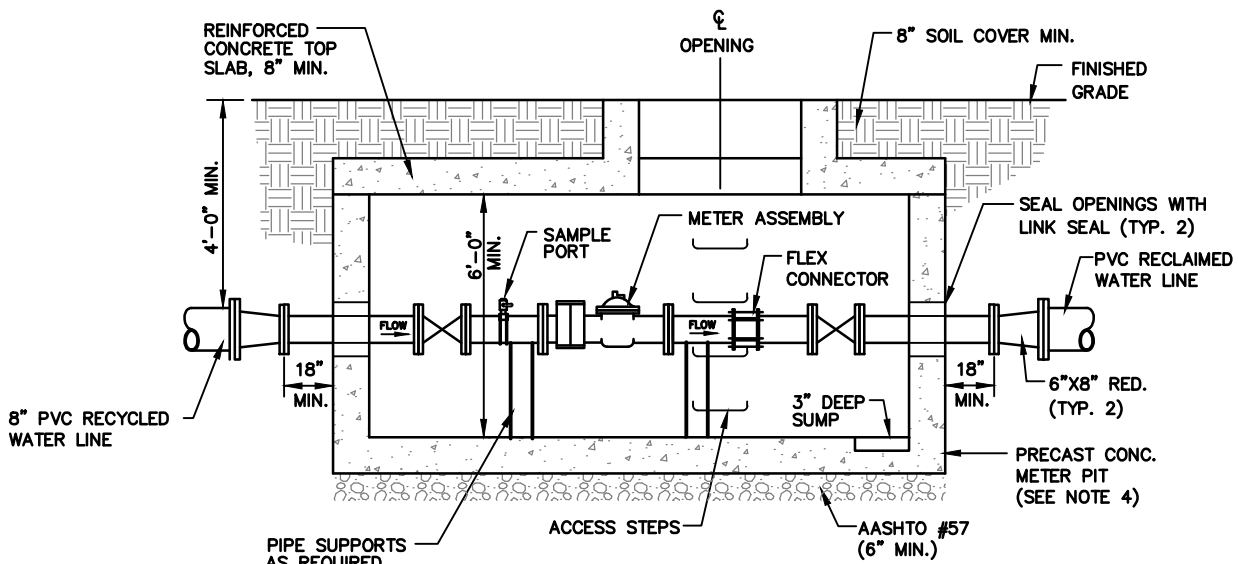
PENNSYLVANIA

PROJ. MGR. - BRB
DESIGN- BRB
CADD- KEC
CHECKED-
SCALE- AS SHOWN
DATE- JUNE 2015

DRAWING NO. 11
SHEET NO. 11 OF 12
PROJECT 001178.0562



PLAN



ELEVATION

NOTES:

1. ALL INTERNAL PIPING SHALL BE FLANGED DUCTILE IRON PIPE, CLASS 52.
2. METER PIT DESIGN BY PRECAST CONCRETE MANUFACTURER.
3. CONTRACTOR TO INSTALL PIPE SUPPORTS AS REQUIRED.
4. PRECAST CONCRETE METER PIT TO BE MINIMUM 7'-6" X 6'-0" X 6'-0" HIGH
5. PIPING, VALVES, METERS AND APPURTENANCES TO BE SIZED BASED ON FLOW PROJECTIONS.

METER PIT DETAIL (HIGH FLOW)

NOT TO SCALE



UNIVERSITY AREA JOINT AUTHORITY

**RECLAIMED WATER STANDARD DETAIL
FOR
UNIVERSITY AREA JOINT AUTHORITY**

CENTRE COUNTY

PENNSYLVANIA

PROJ. MGR. - BRB
DESIGN- BRB
CADD- KEC
CHECKED-
SCALE- AS SHOWN
DATE- JUNE 2015

DRAWING NO. 12
SHEET NO. 12 OF 12
PROJECT 001178.0562

File name: C:\CWA 3D Projects\001178_0562\Plan Sheet\001178056201-2.dwg Layout:DWG, NO.12 Oct 16, 2015 - 8:26am kconroy